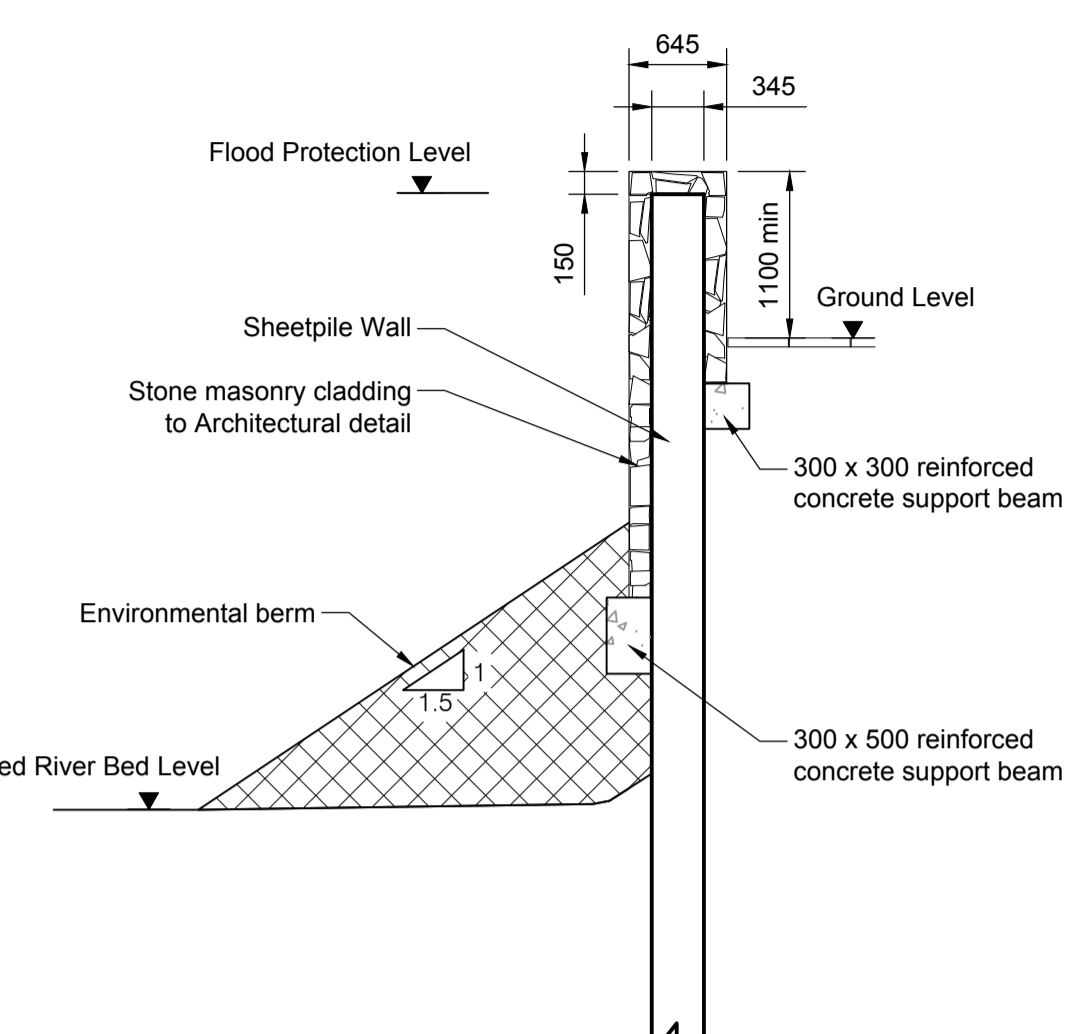
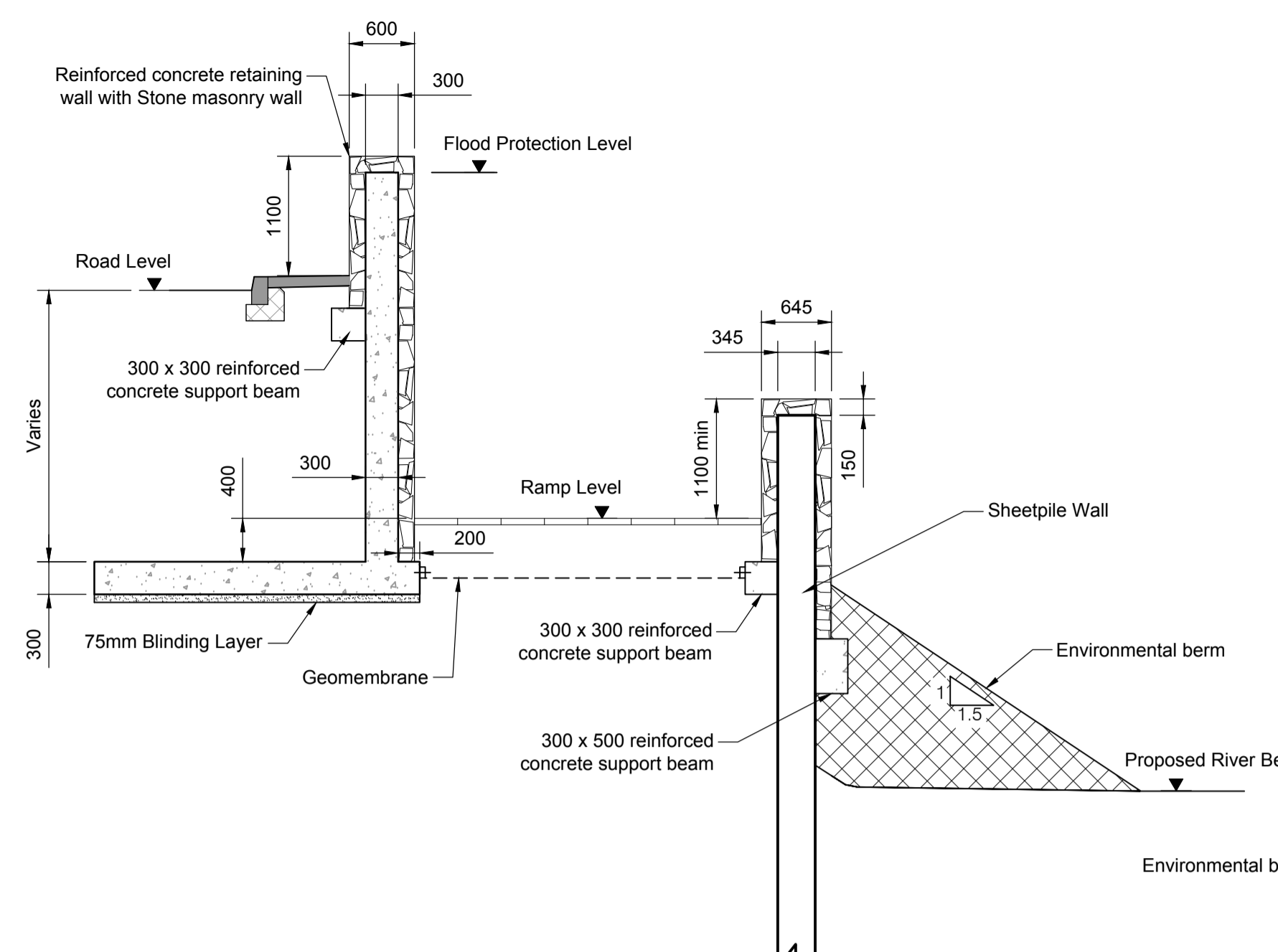


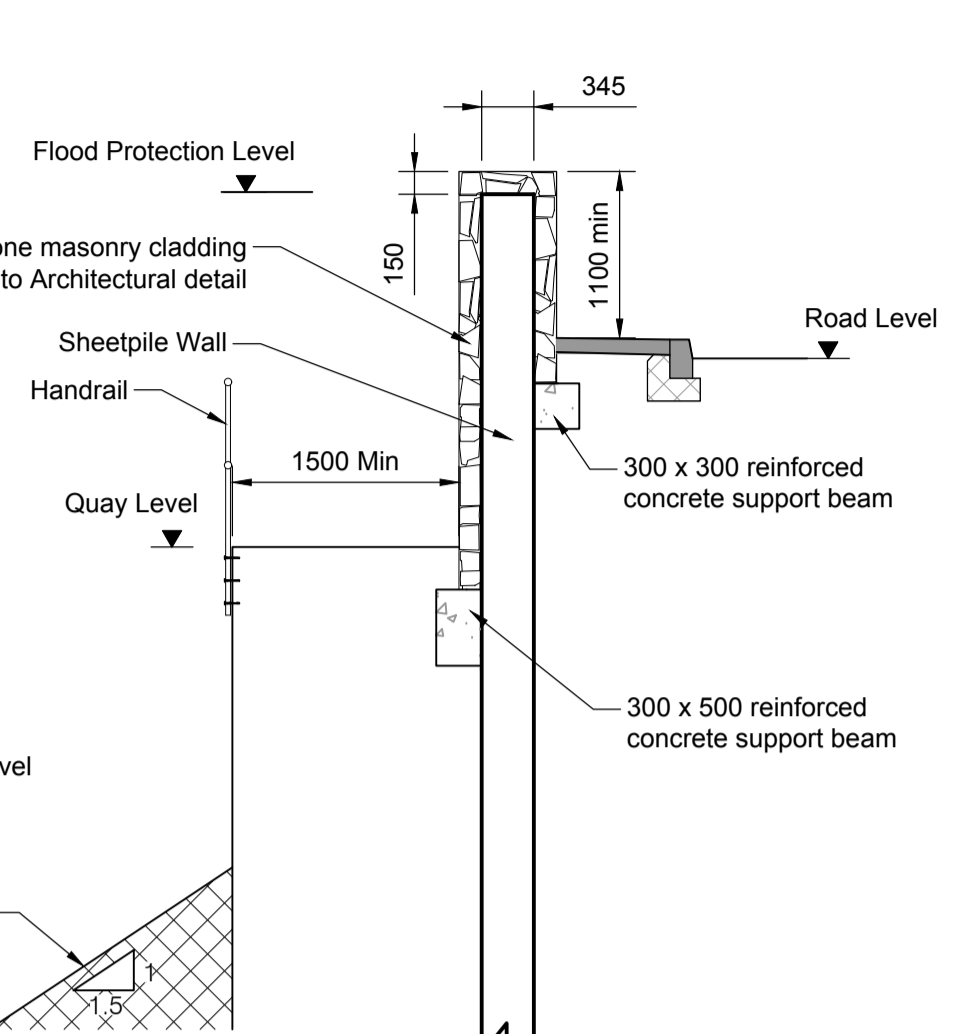
Wall Type 1



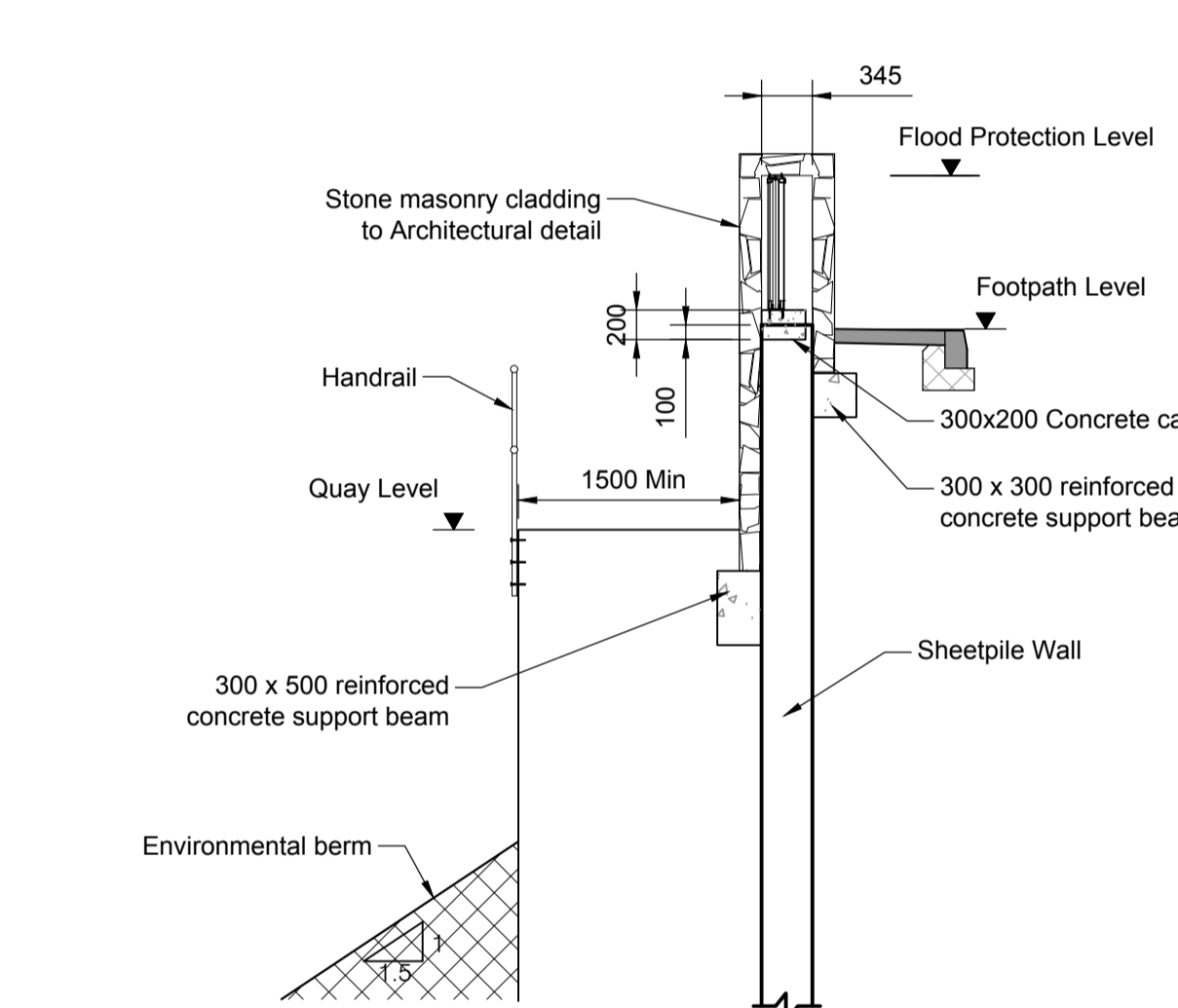
Wall Type 2



Wall Type 3



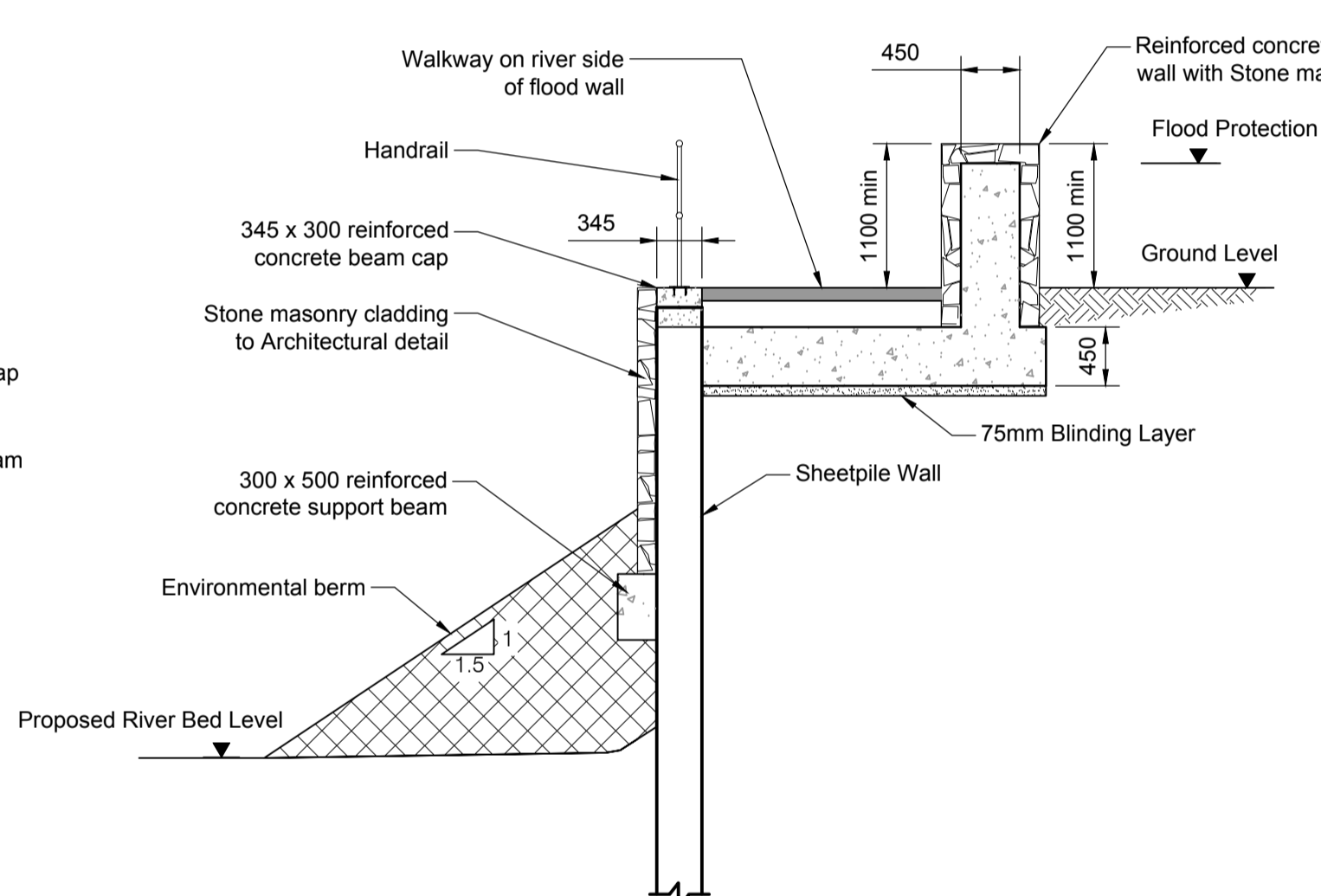
Wall Type 4



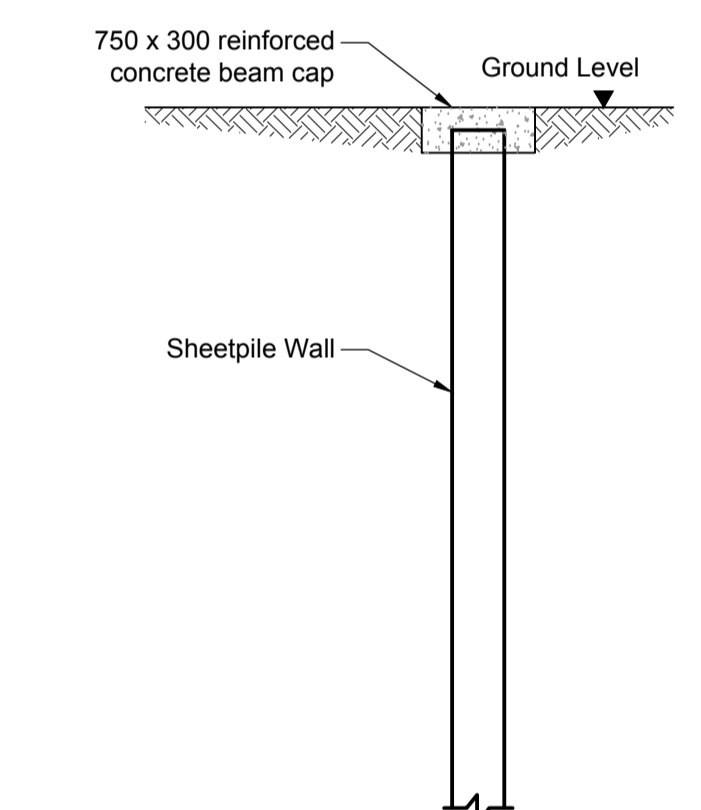
Wall finishes vary with location. Refer to Architectural Details.

Glass Panel Typical Detail

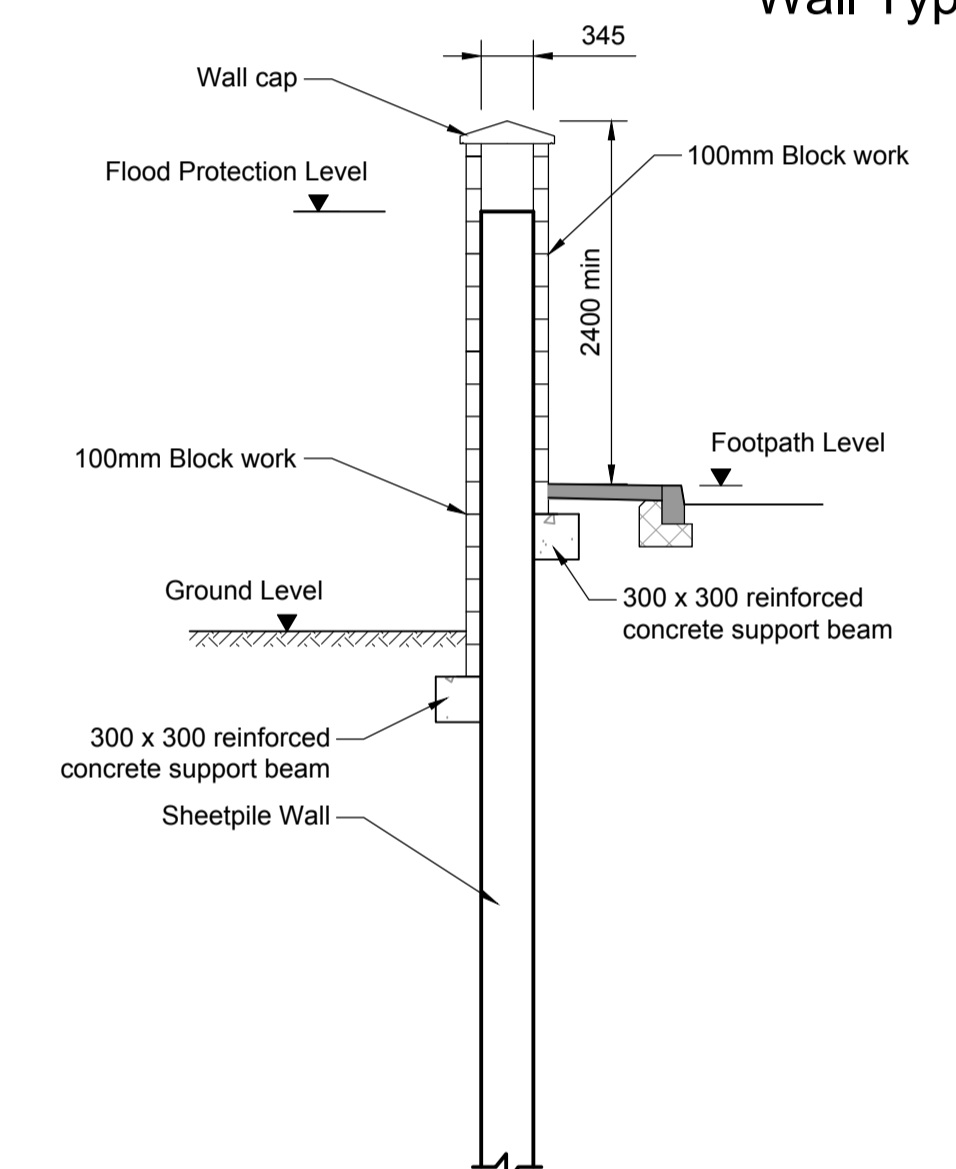
Wall Type 5



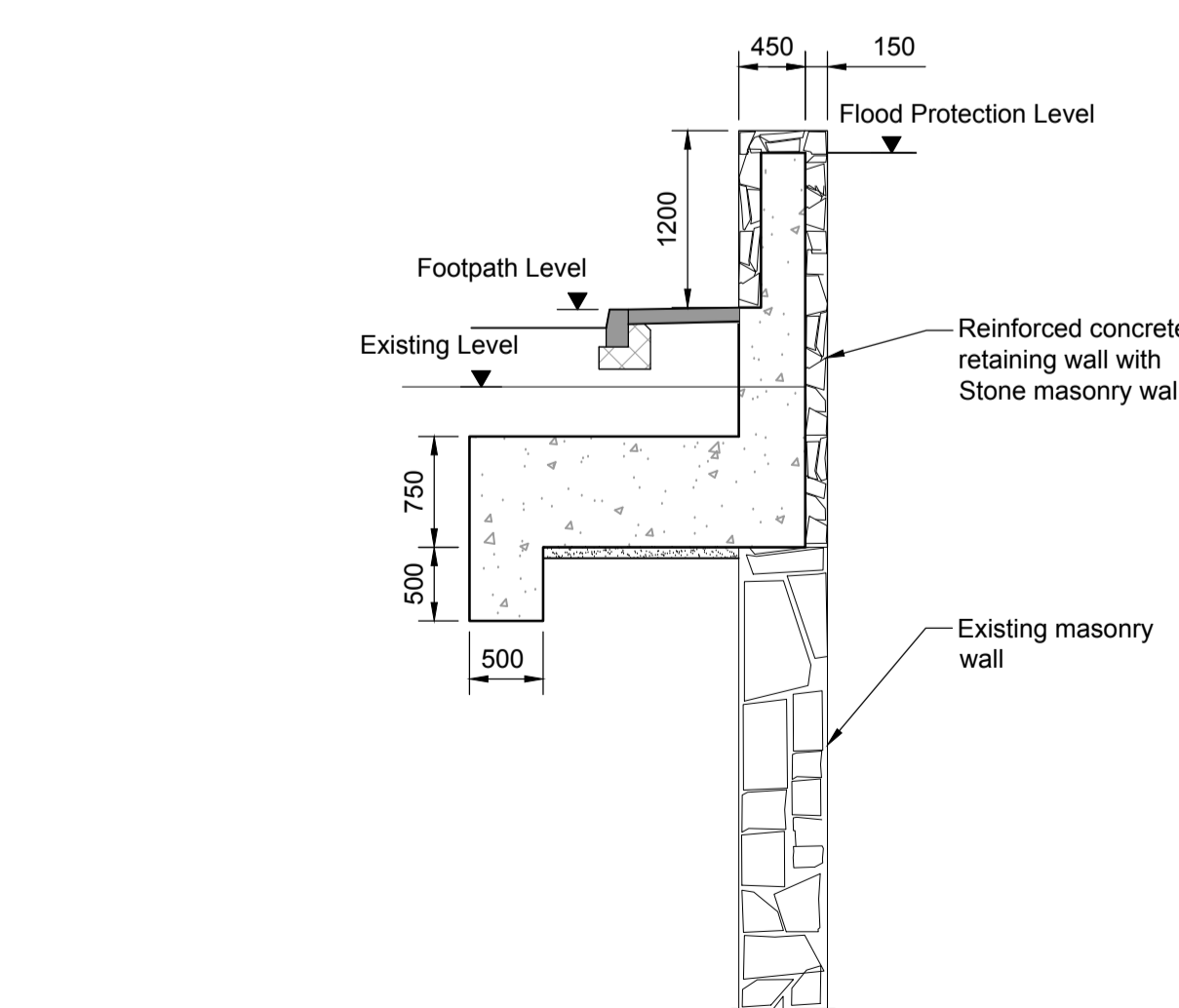
Wall Type 6



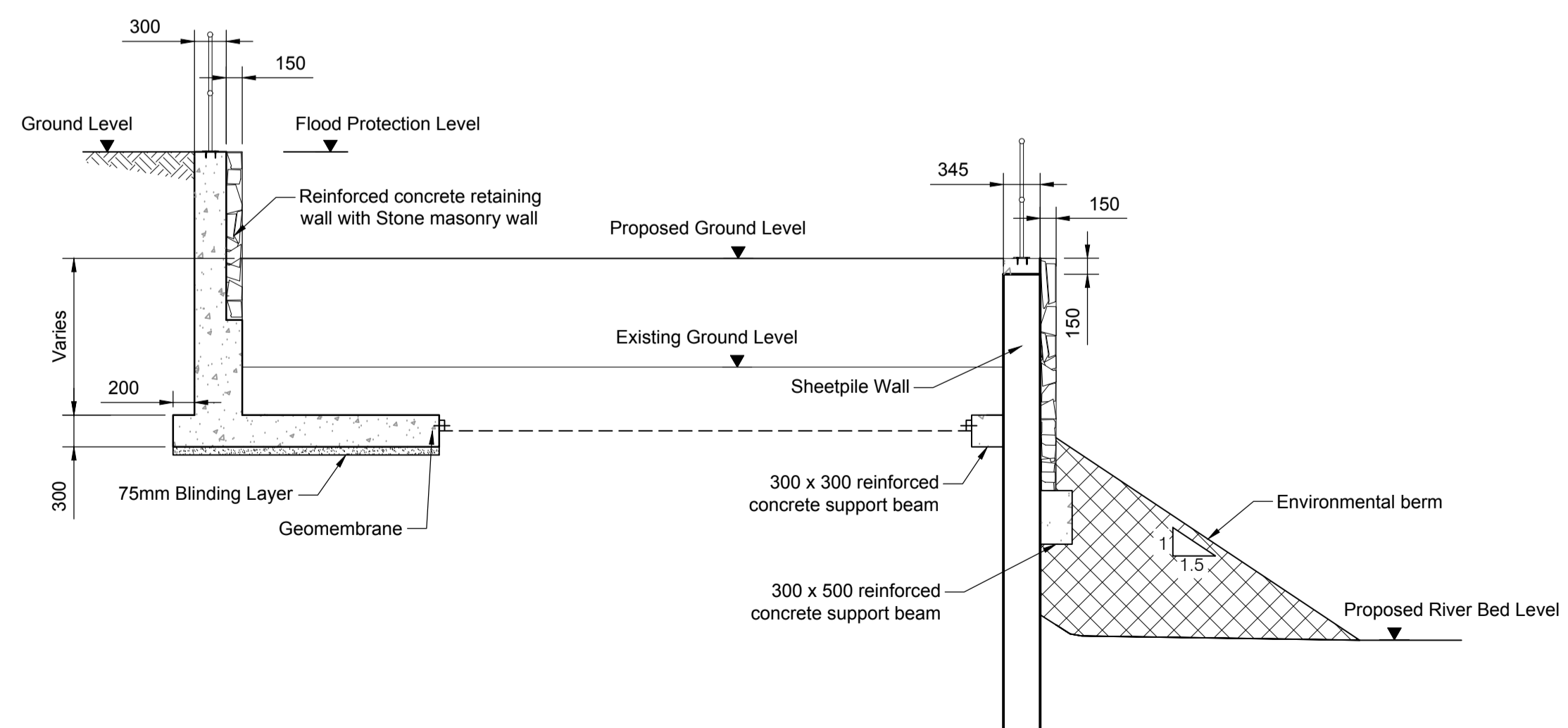
Wall Type 7



Wall Type 8



Wall Type 9



Wall Type 10

- Notes
1. This drawing is to be read in conjunction with all relevant Engineers drawings and specifications.
  2. Do not scale from this drawing.
  3. All levels are in metres and relate to Ordnance Datum Malin Head.
  4. No work shall be carried out on existing services and utilities without proper approval from the Local Authority or service provider.
  5. All existing services to be located prior to commencement of works, and suitably protected for the duration of the works.
  6. The Contractor is to check the accuracy of all tie-in levels. The Engineer is to be informed of any discrepancy immediately.
  7. The design of any temporary works shall be the responsibility of the Contractor.

Rev	Date	Drawn	Description	Ch'k'd	App'd
P01	24/04/18	DG	Public Display	PG	FM

**MOTT MACDONALD**

5 Eastgate Avenue  
Eastgate  
Little Island  
Cork  
Ireland  
T +353 (0) 21 4809800  
F +353 (0) 21 4809801  
www.mottmac.com

Client

Wexford County Council

Status Stamp

**NOT FOR CONSTRUCTION**

Title

Enniscorthy Flood Defence Scheme  
Flood Defences  
Details  
Sheet 1 of 4

Designed	P Griffin	PG	Eng check	P.GRIFFIN	PG
Drawn	D. Gallagher	DG	Coordination	B.O'CONNOR	BO
Dwg check	P.GRIFFIN	PG	Approved	F. McGivern	FM
Scale at A1	Suitability Code	Rev	Security		
As Shown	S1	P01	STD		

Suitable for Co-ordination

Drawing Number

355741-MMD-00-XX-DR-N-0109